

**Characteristics:**

**Isolation:**

Isolation between I.S. and Safe Area terminals: 1.5 KV or 2.5 KV test voltage.  
Isolation between I.S. and I.S. terminals: 0.5 KV test voltage.  
Isolation between Supply and In/Out terminals: 0.5 KV or 1.5 KV or 2.5 KV test voltage.  
Isolation between In/In and Out/Out terminals: 0.5 KV or 1.5 KV or 2.5 KV test voltage.

**Supply voltage:**

12 Vdc nominal, 24 Vdc nominal, 115 Vac nominal, 230 Vac nominal, or Loop powered

**Environmental conditions :**

**Operating:**

temperature limits: -40 to +60/70 °C, relative humidity max 95%, up to 55 °C.

**Storage:**

temperature limits: -45 to +80 °C.

**Mounting:**

T35 DIN Rail according to EN50022, with or without Power Bus or on customized Termination Boards.

**Connection:**

by polarized plug-in disconnect screw terminal blocks to accommodate terminations up to 2.5 mm<sup>2</sup>.

**Location:**

Safe Area/Non Hazardous Locations or Zone 2, Group IIC T4 or Class I, Division 2, Group A,B,C,D, T4 or Class I, Zone 2, Group IIC, T4.

**Protection class:** IP 20.

**Dimensions:** Width 12.5 mm, Depth 123 mm, Height 120 mm.

**Materials:**

**Terminal block:** Polyamide (PA) - V-0 according to UL94.

**Main enclosure:** Polyamide (PA) - V-0 according to UL94.

**Detachable front cover:** Polycarbonate (PC).

**Terminal block cover and DIN-Rail slider:** Acetal (POM).

**Compatibility:**

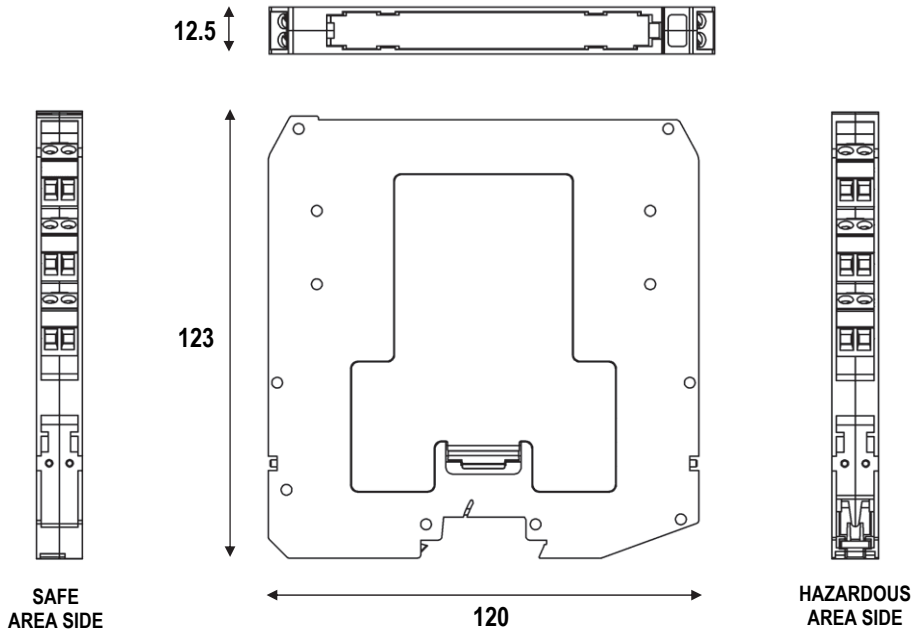
CE mark compliant, conforms to Directives:  
94/9/EC Atex, 2004/108/CE EMC, 2006/95/EC LVD, 2011/65/EU RoHS.

Refer to specific model data sheet for detailed characteristics.

**Image:**



**Dimensions (mm):**



**Terminal blocks dimensions (mm):**

